

- A) SUCTION, 63mm BALL VALVE.
- B) DISCHARGE, 50mm BALL VALVE.
- C) DRAIN, 25mm BALL VALVE.



# SERFILCO INTERNATIONAL LTD

Siemens Road  
 Northbank Industrial Estate  
 Irlam  
 Manchester  
 M44 5AH

www.sales@serfilco-international.com  
 TEL: 0161-775-1910  
 FAX: 0161-775-3696

	INT	DATE	TITLE:
DRAWN	MJW	24/04/2014	GUARDIAN FILTRATION SYSTEM
CHECKED			
MATERIAL	POLYPROPYLENE VITON		CUSTOMER:

NAME	DATE	REVISION

UNLESS OTHERWISE SPECIFIED:  
 DIMENSIONS ARE IN MILLIMETERS  
 TOLERANCES: ± 1.5  
 LINEAR: ± 1.5  
 ANGULAR: ± 1/2°



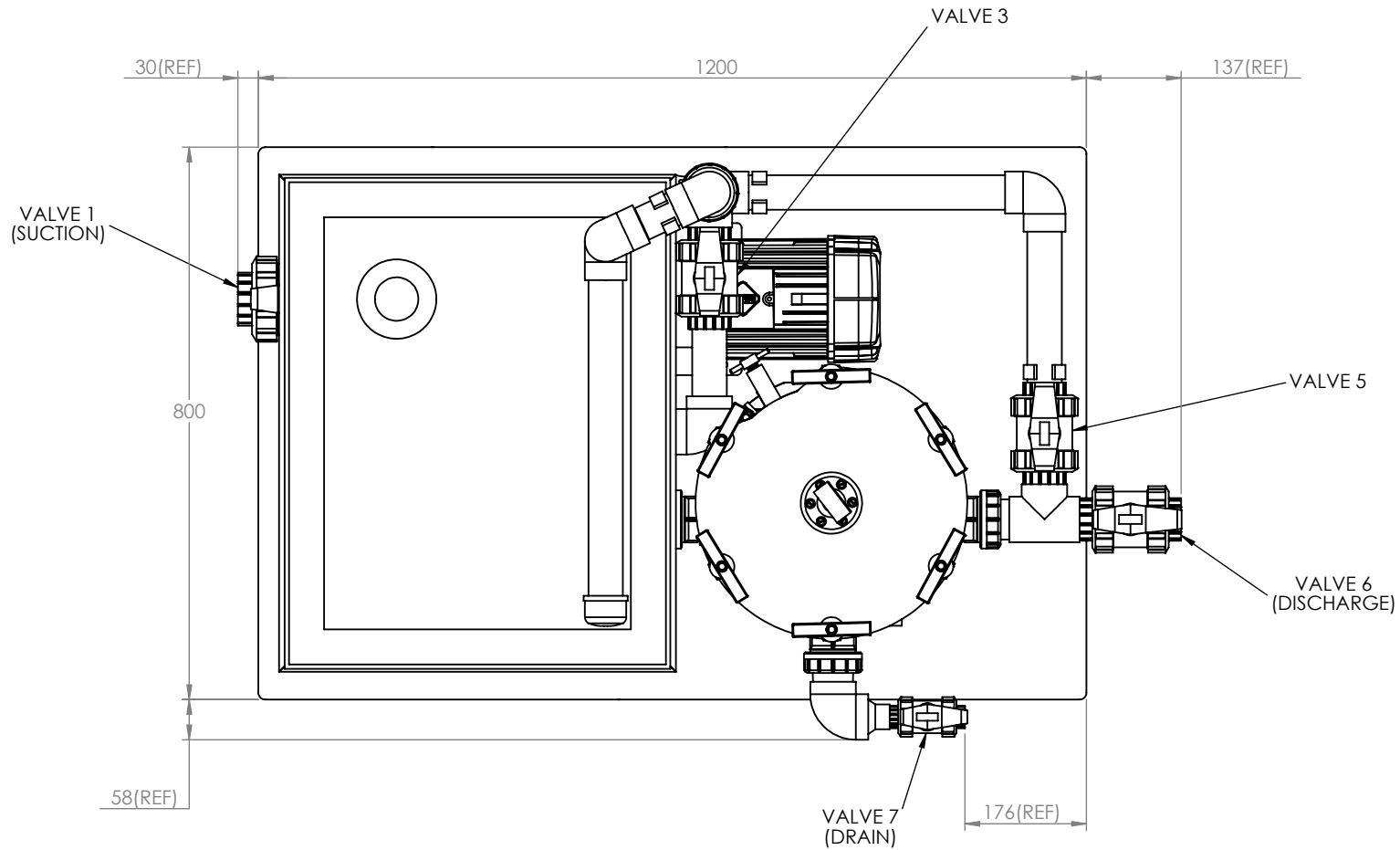
FIRST ANGLE PROJECTION

DWG NO.  
**PPGD45VHFE2(9)DM3.0-SL**

SCALE: 1:15

SHEET 1 OF 5

THIS DRAWING IS THE PROPERTY OF SERFILCO INTERNATIONAL LTD. ALL INFORMATION CONTAINED WITH IN THIS DOCUMENT REMAINS THE PROPERTY OF SERFILCO INTERNATIONAL. THIS IS CONFIDENTIAL & MUST NOT BE COPIED, SHOWN TO THIRD PARTIES OR USED TO ASSIST MANUFACTURE OF ANY PARTS WITHOUT THE WRITTEN PERMISSION OF SERFILCO INTERNATIONAL LTD.



# SERFILCO INTERNATIONAL LTD

Siemens Road  
Northbank Industrial Estate  
Irlam  
Manchester  
M44 5AH

www.sales@serfilco-international.com  
TEL: 0161-775-1910  
FAX: 0161-775-3696

	INT	DATE
DRAWN	MJW	24/04/2014
CHECKED		
MATERIAL	POLYPROPYLENE VITON	

TITLE: **GUARDIAN FILTRATION SYSTEM**

CUSTOMER:

NAME	DATE	REVISION

UNLESS OTHERWISE SPECIFIED:  
DIMENSIONS ARE IN MILLIMETERS  
TOLERANCES: ± 1.5  
LINEAR: ± 1.5  
ANGULAR: ± 1/2°



FIRST ANGLE PROJECTION

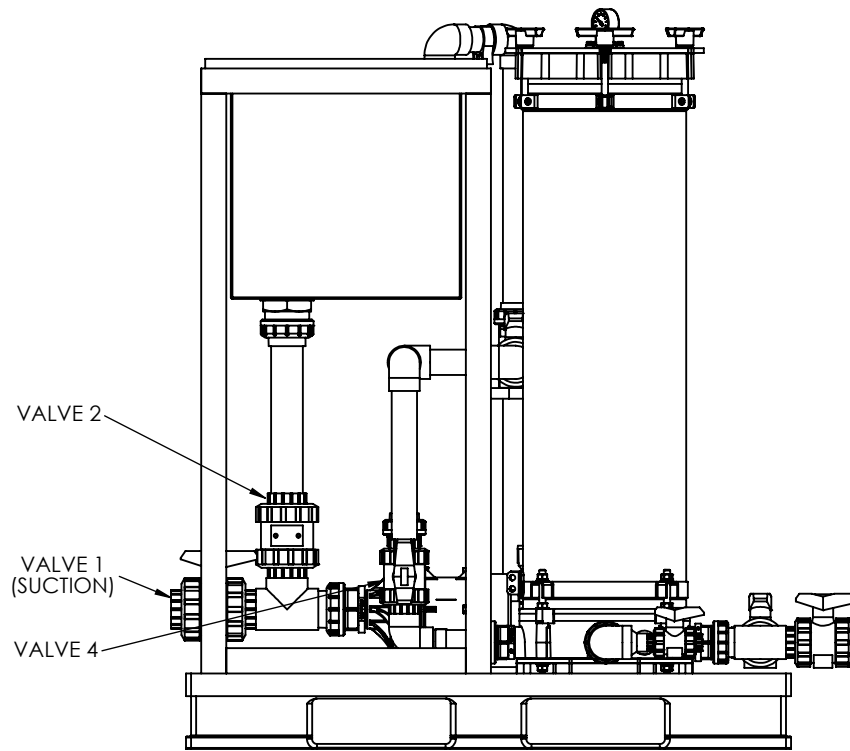
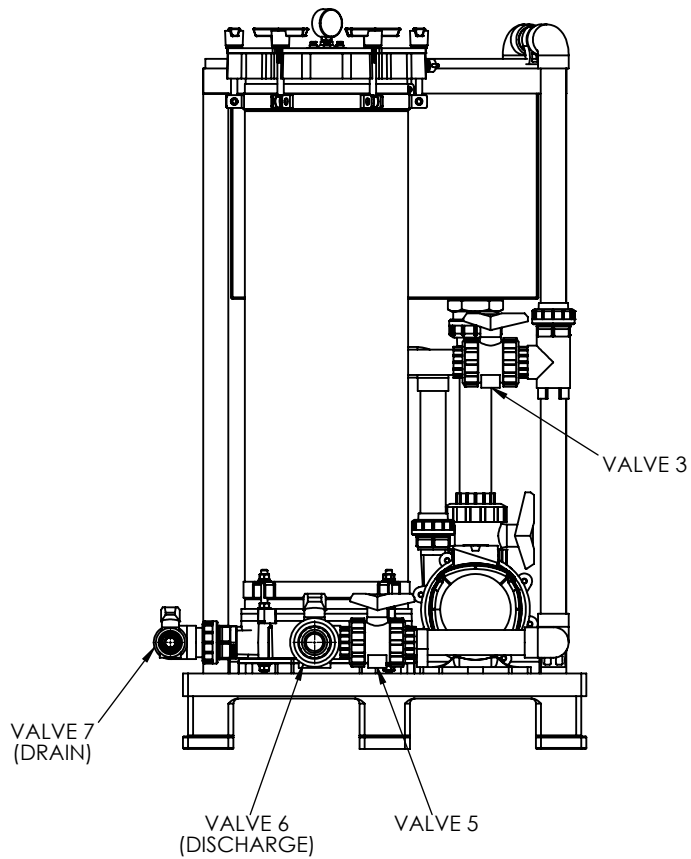
DWG NO.

**PPGD45VHFE2(9)DM3.0-SL**

SCALE: 1:10

SHEET 2 OF 5

THIS DRAWING IS THE PROPERTY OF SERFILCO INTERNATIONAL LTD. ALL INFORMATION CONTAINED WITH IN THIS DOCUMENT REMAINS THE PROPERTY OF SERFILCO INTERNATIONAL. THIS IS CONFIDENTIAL & MUST NOT BE COPIED, SHOWN TO THIRD PARTIES OR USED TO ASSIST MANUFACTURE OF ANY PARTS WITHOUT THE WRITTEN PERMISSION OF SERFILCO INTERNATIONAL LTD.



# SERFILCO INTERNATIONAL LTD

Siemens Road  
Northbank Industrial Estate  
Irlam  
Manchester  
M44 5AH

www.sales@serfilco-international.com  
TEL: 0161-775-1910  
FAX: 0161-775-3696

	INT	DATE	TITLE:
DRAWN	MJW	24/04/2014	GUARDIAN FILTRATION SYSTEM
CHECKED			
MATERIAL	POLYPROPYLENE VITON		CUSTOMER:

NAME	DATE	REVISION

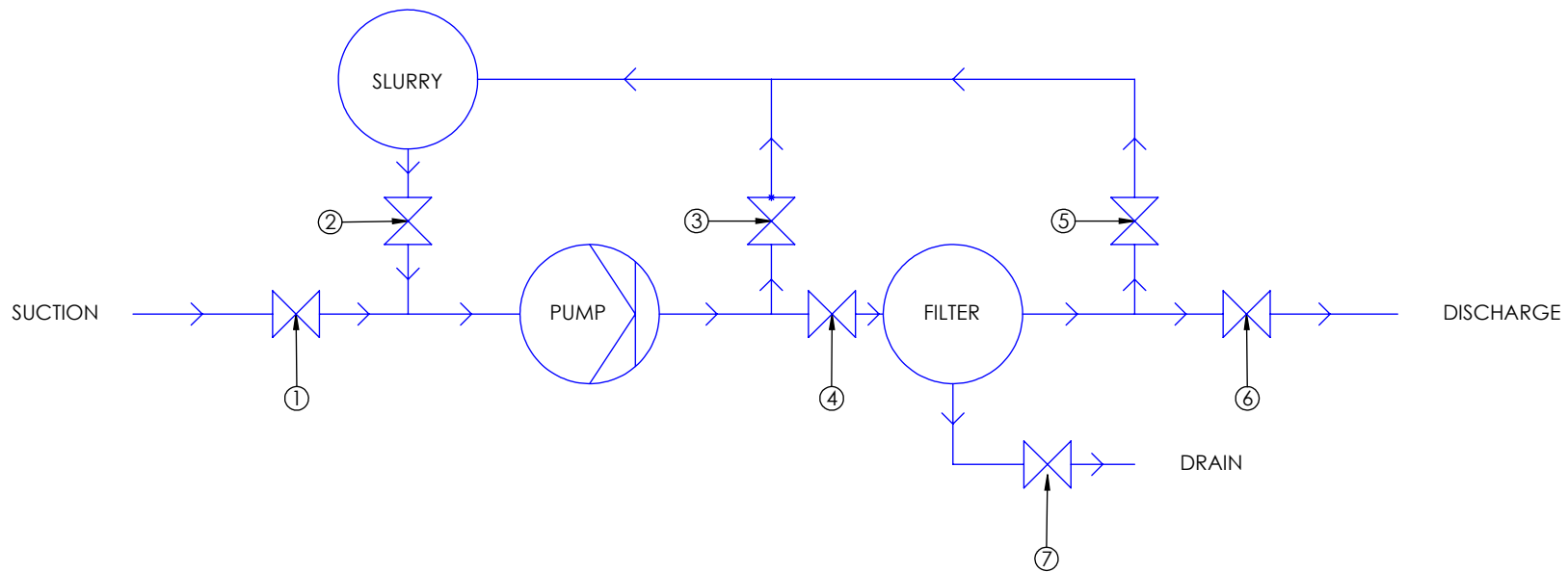
THIS DRAWING IS THE PROPERTY OF SERFILCO INTERNATIONAL LTD. ALL INFORMATION CONTAINED WITH IN THIS DOCUMENT REMAINS THE PROPERTY OF SERFILCO INTERNATIONAL. THIS IS CONFIDENTIAL & MUST NOT BE COPIED, SHOWN TO THIRD PARTIES OR USED TO ASSIST MANUFACTURE OF ANY PARTS WITHOUT THE WRITTEN PERMISSION OF SERFILCO INTERNATIONAL LTD.

UNLESS OTHERWISE SPECIFIED:  
DIMENSIONS ARE IN MILLIMETERS  
TOLERANCES: ± 1.5  
LINEAR: ± 1.5  
ANGULAR: ± 1/2°

FIRST ANGLE PROJECTION

DWG NO.
PPDG45VHFE2(9)DM3.0-SL
SCALE: 1:15
SHEET 3 OF 5

Operation	Valve position						
	1	2	3	4	5	6	7
To pump solution through the filtration chamber only.	Open	Closed	Closed	Open	Closed	Open	Closed
To fill the slurry chamber with un-filtered solution	Open	Closed	Open	Closed	Closed	Closed	Closed
To fill the slurry chamber with filtered solution	Open	Closed	Closed	Open	Open	Closed	Closed
To re-circulate solution through the slurry chamber & pump	Closed	Open	Open	Closed	Closed	Closed	Closed
To re-circulate solution through the slurry chamber, filtration chamber & pump	Closed	Open	Closed	Open	Open	Closed	Closed



# SERFILCO INTERNATIONAL LTD

Siemens Road  
Northbank Industrial Estate  
Irlam  
Manchester  
M44 5AH

www.sales@serfilco-international.com  
TEL: 0161-775-1910  
FAX: 0161-775-3696

	INT	DATE	TITLE:
DRAWN	MJW	24/04/2014	GUARDIAN FILTRATION SYSTEM
CHECKED			
MATERIAL	POLYPROPYLENE VITON		CUSTOMER:

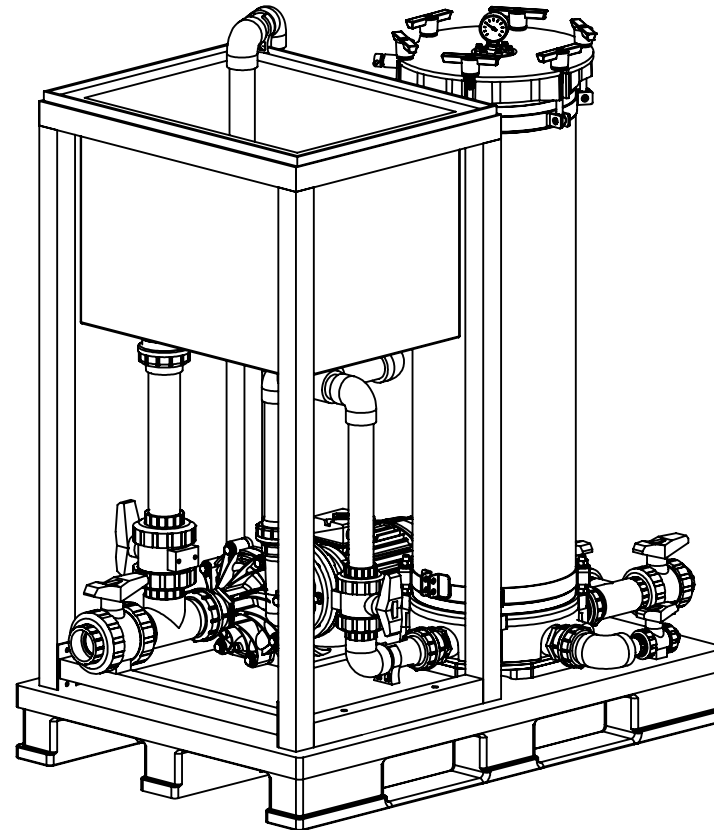
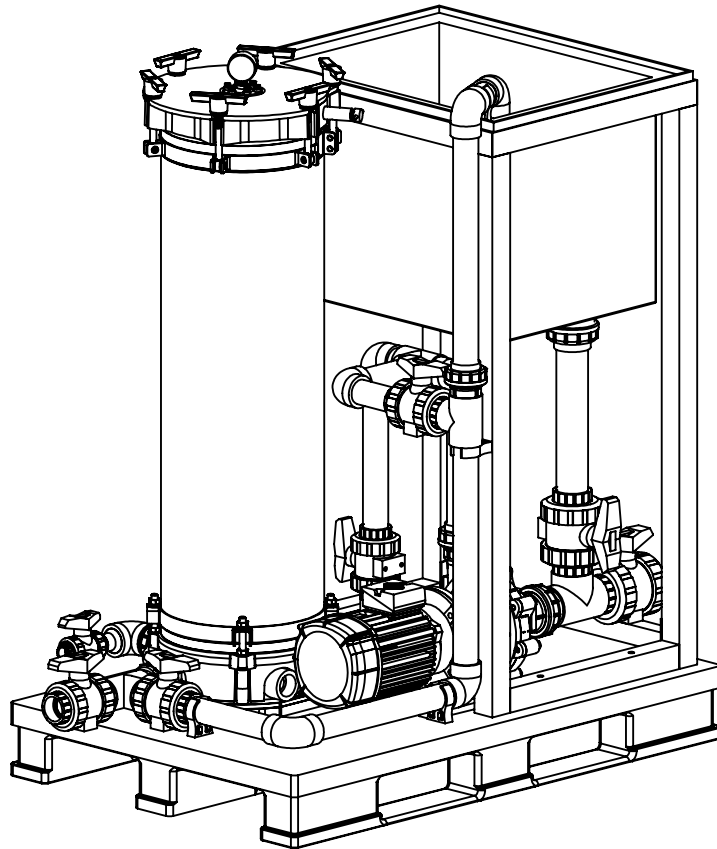
NAME	DATE	REVISION
<small>THIS DRAWING IS THE PROPERTY OF SERFILCO INTERNATIONAL LTD. ALL INFORMATION CONTAINED WITH IN THIS DOCUMENT REMAINS THE PROPERTY OF SERFILCO INTERNATIONAL. THIS IS CONFIDENTIAL &amp; MUST NOT BE COPIED, SHOWN TO THIRD PARTIES OR USED TO ASSIST MANUFACTURE OF ANY PARTS WITHOUT THE WRITTEN PERMISSION OF SERFILCO INTERNATIONAL LTD.</small>		

UNLESS OTHERWISE SPECIFIED:  
DIMENSIONS ARE IN MILLIMETERS  
TOLERANCES: ± 1.5  
LINEAR: ± 1.5  
ANGULAR: ± 1/2°



FIRST ANGLE PROJECTION

DWG NO.	PPGD45VHFE2(9)DM3.0-SL
SCALE:	NOT TO SCALE
SHEET 4 OF 5	



# SERFILCO INTERNATIONAL LTD

Siemens Road  
Northbank Industrial Estate  
Irlam  
Manchester  
M44 5AH

www.sales@serfilco-international.com  
TEL: 0161-775-1910  
FAX: 0161-775-3696

	INT	DATE	TITLE:
DRAWN	MJW	24/04/2014	GUARDIAN FILTRATION SYSTEM
CHECKED			
MATERIAL	POLYPROPYLENE VITON		CUSTOMER:

NAME	DATE	REVISION

THIS DRAWING IS THE PROPERTY OF SERFILCO INTERNATIONAL LTD. ALL INFORMATION CONTAINED WITH IN THIS DOCUMENT REMAINS THE PROPERTY OF SERFILCO INTERNATIONAL. THIS IS CONFIDENTIAL & MUST NOT BE COPIED, SHOWN TO THIRD PARTIES OR USED TO ASSIST MANUFACTURE OF ANY PARTS WITHOUT THE WRITTEN PERMISSION OF SERFILCO INTERNATIONAL LTD.

UNLESS OTHERWISE SPECIFIED:  
DIMENSIONS ARE IN MILLIMETERS  
TOLERANCES: ± 1.5  
LINEAR: ± 1.5  
ANGULAR: ± 1/2°



DWG NO.
PPGD45VHFE2(9)DM3.0-SL
SCALE: 1:15
SHEET 5 OF 5