

FOR FILTRATION & PURIFICATION OF PROCESS SOLUTIONS:

**ELECTROPLATING / CARBON PURIFICATION
WATER TREATMENT / CLEANING
PHOTOGRAPHIC / PHARMACEUTICAL
CHEMICAL / PETROCHEMICAL / BEVERAGE**

FEATURES:

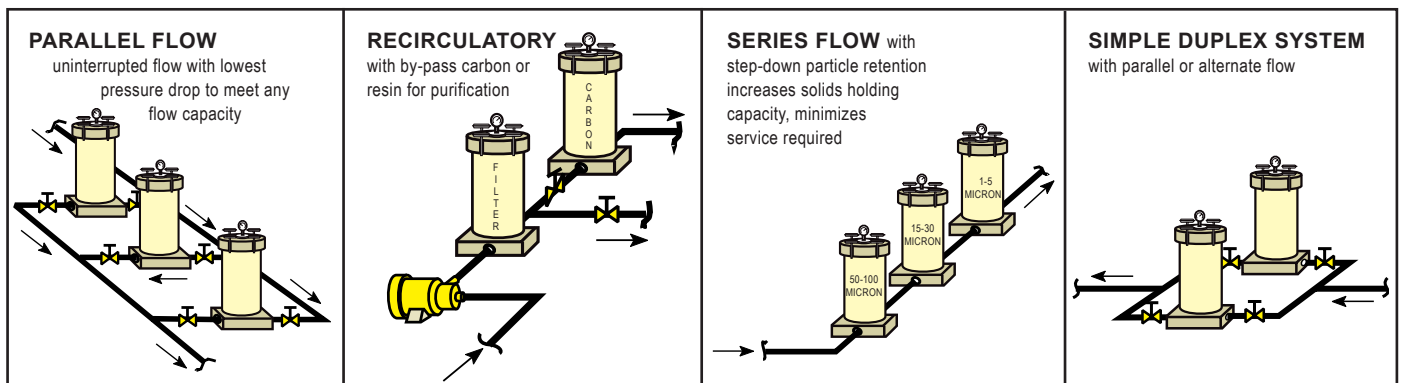
- **Non-metallic solution contact**
CPVC, polypropylene, PVC and pure PVDF construction
(See a chemical resistance chart)
- **Heavy duty construction**
 - Pressure ratings to 160 PSI (1103 KPa)
(See Pressure/temperature table on page 3)
 - Clamp ring closure or optional external tie rod
- **Variety of sizes**
From 4", 6" and 1 to 4 - 10" cartridge capacity
(or equivalent 20", 30", or 40" lengths.)
- **Port size 3/4" NPT**
Metric and flange available
- **"O"-ring seal at cover & vent valve**
EPDM (standard), Viton® (optional)
- **Easy servicing, no tools required**

FLOW RATE

Flow rates up to 34 GPM depending upon style and length of filter cartridge, solids content, viscosity, pressure drop, and degree of clarity desired. Pressure ratings of filter chambers depend upon the temperature of solutions being filtered. See Pressure/temperature table on next page.

For use with a variety of filter media (order separately)

- Depth wound, pleated, carbon or membrane cartridges
- Positive cartridge seal for -
Standard - DOE . . . Double Open End
Optional - SOE . . . Single Open End for 222 "O"-ring





SPECIFICATIONS AND DIMENSIONS

Series 'L' Plastic Filter Chambers include:

- Pressure ratings to 160 PSI
- Non - metallic solution contact
- EPDM "O" - ring standard, Viton® optional
- Clamp ring cover closure standard, tie rods optional
- Integral shell-base assembly
- Vent valve or vent plug

PL CPVC Base & Cover, translucent PVC Shell

PVC shell sealed to base, EPDM "O" - ring at cover, polypropylene vent valve. Cross post or CPVC tube guide**. For DOE Cartridges.

CL CPVC Base & Cover, CPVC Shell

CPVC shell sealed to base, EPDM "O" - ring at cover, polypropylene vent valve. Cross post or CPVC tube guide**. For DOE Cartridges.

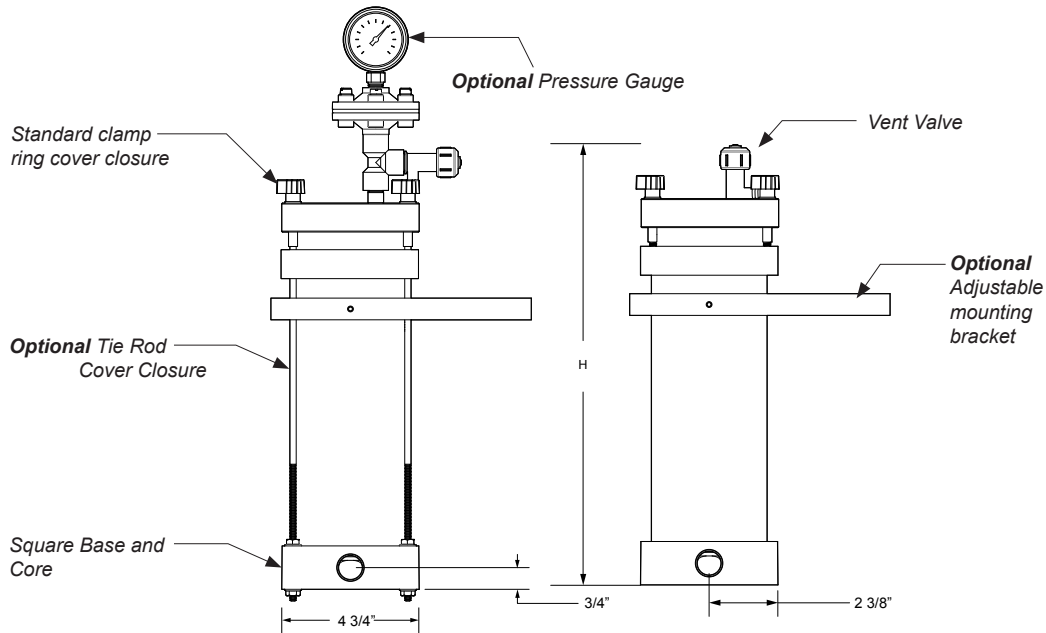
PPL Polypropylene Base, Cover and Shell

Polypropylene* shell sealed to base, EPDM "O" - ring at cover, polypropylene vent valve. Polypropylene cross post or tube guide**. For DOE Cartridges.
*glass reinforced polypropylene

KL PVDF Base, Cover and Shell

PVDF shell sealed to base, EPDM "O" - ring at cover and at PVDF vent plug. PVDF cross post or PVDF tube guide**. For DOE Cartridges.

** Tube guide on size 10" and smaller chambers; cross post on size 20" and larger chambers.



DIMENSIONS									
CHAMBER			CARTRIDGES - Max dia. 3"						
SIZE	HEIGHT in.	SHIPPING WT. lbs.	SIZE & NUMBER						SOLIDS AREA
			4"	6"	10"	20"	30"	40"	
4	7	3	1	-	-	-	-	-	1.4
6	9	4	-	1	-	-	-	-	2.1
10	13	5	-	-	1	-	-	-	3.5
20	23	7	-	-	2	1	-	-	7.0
30	33	9	-	-	3	-	1	-	10.5
40	43	11	-	-	4	2	-	1	14.0



SERIES 'L' | PLASTIC FILTER CHAMBERS

2900 MacArthur Blvd. Northbrook, IL. USA 60062 www.serfilco.com (800) 323 - 5431

PRESSURE/TEMPERATURE

FLOW RATE vs. PRESS. DIFF. ¹		
CONN.	@ 5 PSI	@ 15 PSI
3/4"	12 GPM 45 LPM	24 GPM 91 LPM

¹ With 15 micron depth wound cartridges.

MAX. PSI PRESSURE AT OPERATING TEMP. WITH TIE ROD COVER CLOSURE ²			
TEMP	CL	KL	PPL & PCL
70°F	160	130	100
100°F	130	105	85
120°F	105	90	75
140°F	80	75	65
170°F	50	60	25
200°F	30	45	—

² With clamp ring cover closure 40 PSI max.

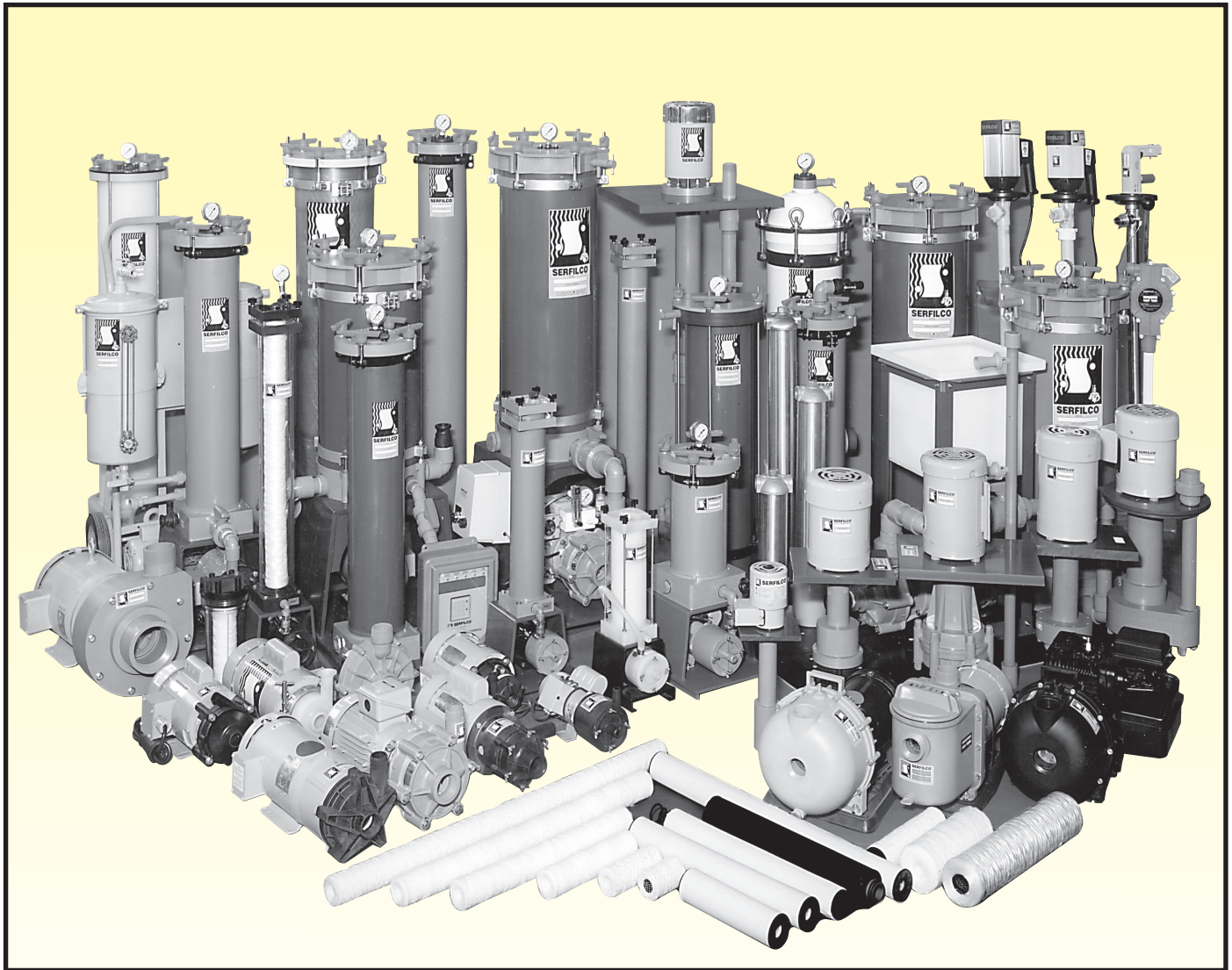
TO ORDER, use Price Code Number

SERIES 'L' CHAMBERS			
DESCRIPTION	4, 6 & 10 models have a tube guide: 20, 30 & 40 models have a cross post.	MODEL NUMBER w/3/4 NPT CONN.	PRICE CODE NO.
PCL	CPVC base and cover, translucent PVC shell with shell sealed to base	CPCL4 3/4 CPCL6 3/4 CPCL10 3/4 CPCL20 3/4 CPCL30 3/4 CPCL40 3/4	78-1266AC 78-1267AC 78-1268AC 78-1269AC 78-1270AC 78-1271AC
CL	CPVC base, cover, and shell with shell sealed to base	CCL4 3/4 CCL6 3/4 CCL10 3/4 CCL20 3/4 CCL30 3/4 CCL40 3/4	78-0238AC 78-0239AC 78-0240AC 78-0241AC 78-0242AC 78-0243AC
PPL	Polypropylene base, cover, and shell with shell sealed to base	CPPL4 3/4 CPPL6 3/4 CPPL10 3/4 CPPL20 3/4 CPPL30 3/4 CPPL40 3/4	78-0285AC 78-0286AC 78-0287AC 78-0288AC 78-0289AC 78-0290AC
KL	PVDF base, cover, and shell with shell sealed to base	CKL4 3/4 CKL6 3/4 CKL10 3/4 CKL20 3/4 CKL30 3/4	78-0465AC 78-0466AC 78-0467AC 78-0468AC 78-0469AC

OPTIONAL EQUIPMENT

TO ORDER	DESCRIPTION	ADD to MODEL NO.	ADD to PRICE CODE NO.
Viton elastomers	Change L to V in Model Number.		-V
Mounting bracket	Adjustable: 9" x 5" PVC For PP Chamber		44-3200-1 44-3200-2
Cover plate	Standard on models with tie rod cover closure. (Recommended above 120°F at 75% of max. pressure)		99-1099-1
222 "O"-ring cartridge seat	For SOE (single open and flat top) cartridge. Cross post not furnished.	-2	-2
Pressure gauge 0-60 PSI	Mounted in cover with EPDM diaphragm & vent valve. Polypropylene CPVC Mounted in cover with Viton diaphragm & vent plug PVDF	-G4A -G4A -G4	99-1399 99-0733 99-1222
Tie rod cover closure	Drop first C from Model Number and C from Price Code Number		

Also available from SERFILCO:



Your one-stop source for pumping, filtration and purification needs!

SERFILCO can help you realize the economic value of clarification and purification of your process solutions and waste streams. Our wide range of pumps, filters, packaged systems, accessories and related control instruments make it possible for you to take advantage of one-stop shopping for all of your liquid handling needs. With modern filtration technology at work in your facility, you can reduce waste, lower your manufacturing costs, and enhance product integrity.

We've been serving industry worldwide for 50 years. We're ready to serve you, too!