



FOR FILTRATION & PURIFICATION OF PROCESS SOLUTIONS:

**ELECTROPLATING / CARBON PURIFICATION
WATER TREATMENT / CLEANING
PHOTOGRAPHIC / PHARMACEUTICAL
CHEMICAL / PETROCHEMICAL / BEVERAGE**



FEATURES:

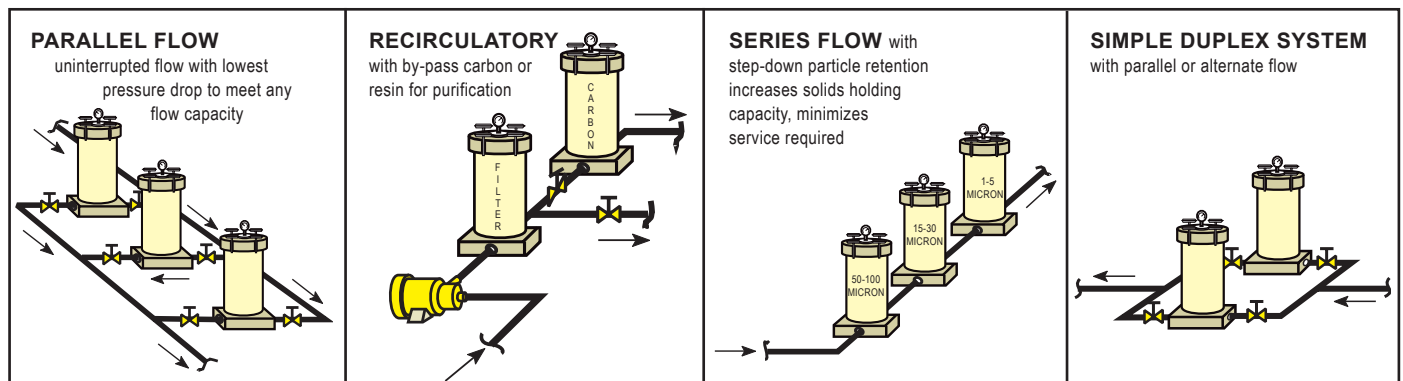
- **Non-metallic solution contact**
CPVC, polypropylene, PVC and pure PVDF construction
(See a chemical resistance chart)
- **Heavy duty construction**
 - Pressure ratings to 135 PSI (931 KPa)
(See Pressure/temperature table on next page)
 - Swing bolt cover closure with tee handle
- **Variety of sizes**
From 3 to 12 - 10" cartridge capacity
(or equivalent 20", 30", or 40" lengths.)
- **Port size 1" NPT**
Metric and flange available
- **"O"-ring seal at cover & vent valve**
EPDM (standard), Viton® (optional)
- **Easy servicing, no tools required**

For use with a variety of filter media (order separately)

- Depth wound, pleated, carbon or membrane cartridges
- Positive cartridge seal for -
Standard - DOE . . . Double Open End
Optional - SOE . . . Single Open End for 222 "O"-ring

FLOW RATE

Flow rates up to 68 GPM depending upon style and length of filter cartridge, solids content, viscosity, pressure drop, and degree of clarity desired. Pressure ratings of filter chambers depend upon the temperature of solutions being filtered. See Pressure/temperature table on next page.





SPECIFICATIONS

Series 'S' Plastic Filter Chambers include:

- Pressure ratings to 135 PSI
- Non-metallic solution contact
- EPDM "O" - ring standard, Viton® Optional
- Swing bolt cover closure w/ SS swing bolts & bracket
- Integral shell-base assembly
- Inlet to outlet at 90° or 180° aspect
- 0 - 60 PSI pressure with gauge guard and vent valve

PL CPVC Base & Cover, PVC Shell

PVC shell sealed to base, EPDM "O" - ring at cover. Polypropylene vent valve, cross posts and springs. For DOE Cartridges.

CL CPVC Base, Cover, and Shell

CPVC shell sealed to base, EPDM "O" - ring at cover. Polypropylene vent valve, cross posts and springs. For DOE Cartridges.

PPL Polypropylene Base, Cover and Shell

Polypropylene* shell sealed to base, EPDM "O" - ring at cover. Polypropylene vent valve, cross posts and springs. For DOE Cartridges.

*glass reinforced polypropylene

KL PVDF Base, Cover and Shell

PVDF shell sealed to base, EPDM "O" - ring at cover. PVDF vent valve, cartridge posts and internals. For DOE Cartridges.

PRESSURE/TEMPERATURE

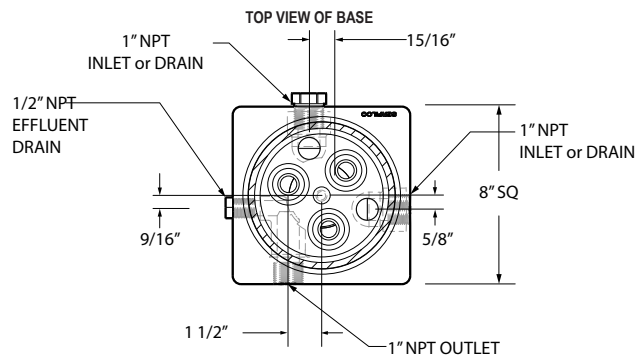
FLOW RATE vs. PRESS. DIFF. ¹		
CONN.	@ 5 PSI	@ 15 PSI
1"	30 GPM 114 LPM	58 GPM 220 LPM

¹ With 15 micron depth wound cartridges.

MAX. PSI PRESSURE AT OPERATING TEMP.						
TEMP.	PL		CL		KL	PPL
	*with cover plate	without cover plate	*with cover plate	without cover plate	with cover plate	with cover plate
70°F	135	100	135	100	120	50
100°F	100	85	110	85	95	45
120°F	65	55	90	65	80	40
140°F	35	30	70	50	70	35
170°F	-	-	45	30	55	15
200°F	-	-	25	20	45	-

* See Optional for cover reinforcing plate.

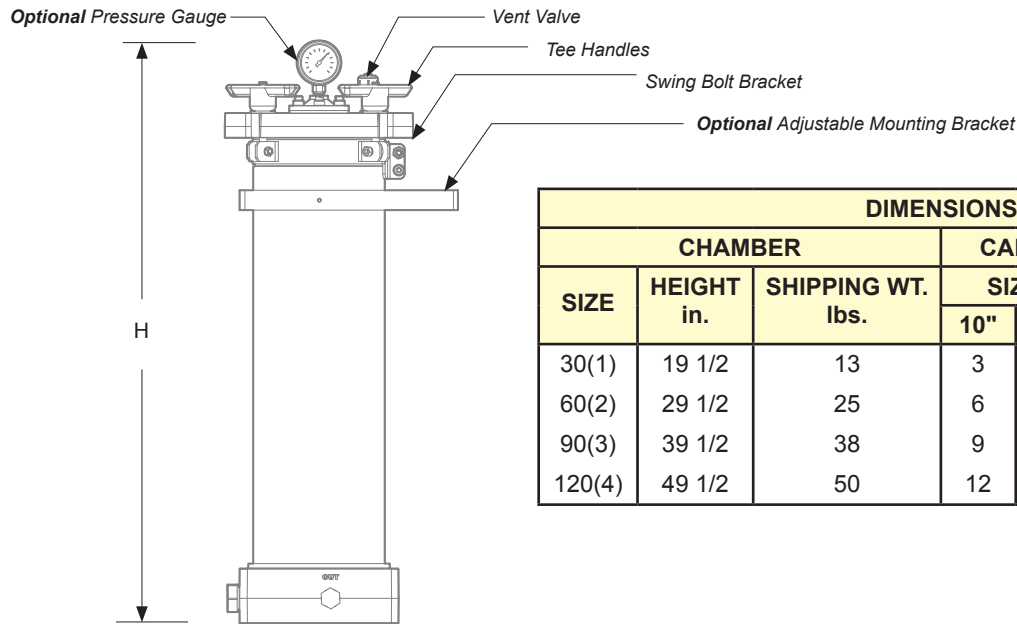
DIMENSIONS





SERIES 'S' | PLASTIC FILTER CHAMBERS

2900 MacArthur Blvd. Northbrook, IL. USA 60062 www.serfilco.com (800) 323 - 5431



DIMENSIONS							
CHAMBER			CARTRIDGES - Max dia. 2.7"				
SIZE	HEIGHT in.	SHIPPING WT. lbs.	SIZE & NUMBER				SOLIDS AREA
			10"	20"	30"	40"	
30(1)	19 1/2	13	3	-	-	-	10.5
60(2)	29 1/2	25	6	3	-	-	21.0
90(3)	39 1/2	38	9	-	3	-	31.5
120(4)	49 1/2	50	12	6	-	3	42.0

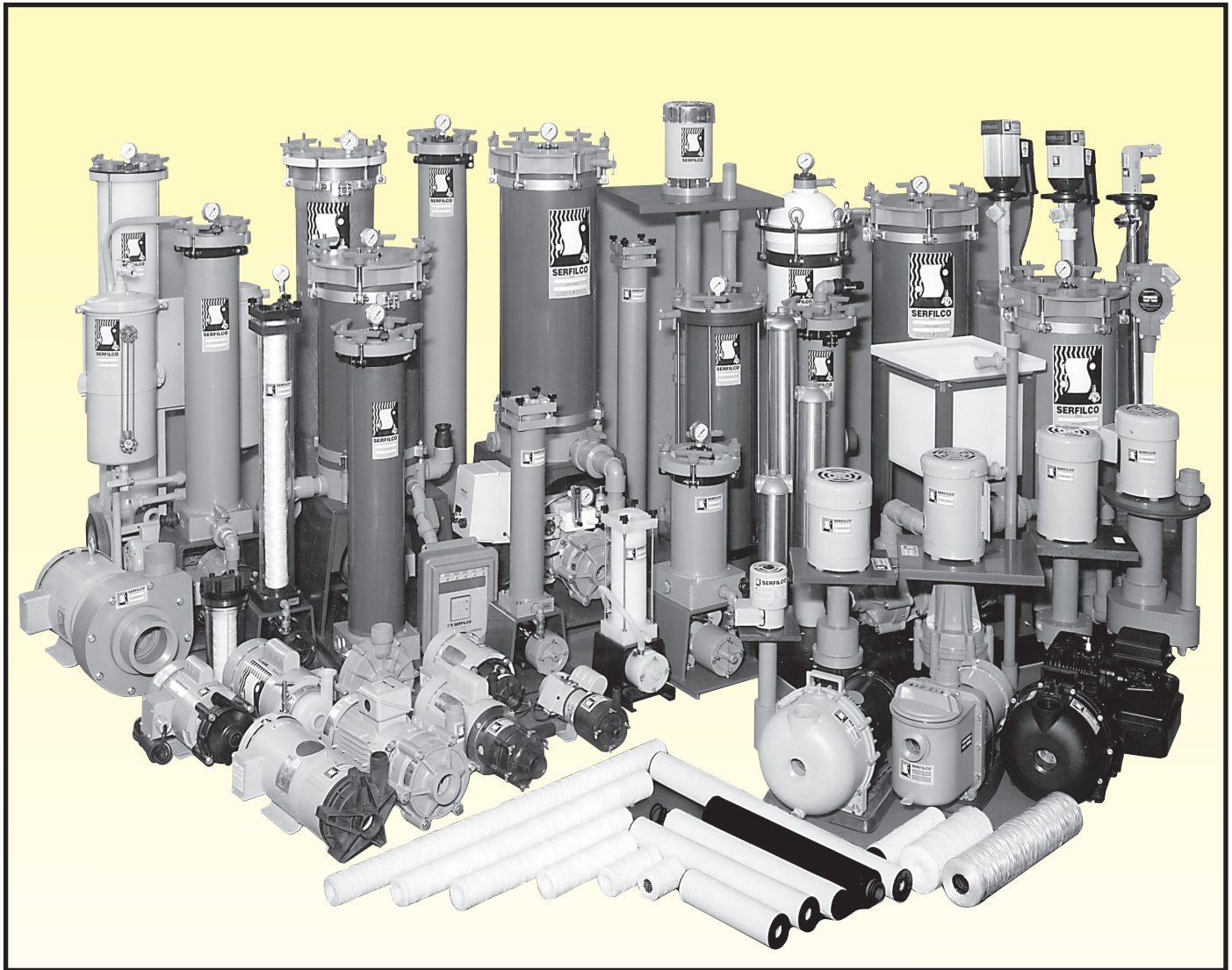
TO ORDER, use Price Code Number

DESCRIPTION		MODEL NUMBER w/ 1" NPT CONN.	PRICE CODE NO.
PL	CPVC base and cover, PVC shell sealed to base	PL30(1)S-1-G3	78-1132
		PL60(2)S-1-G3	78-1133
		PL90(3)S-1-G3	78-1134
		PL120(4)S-1-G3	78-1135
CL	CPVC base, cover, and shell with shell sealed to base	CL30(1)S-1-G3	78-0250
		CL60(2)S-1-G3	78-0251
		CL90(3)S-1-G3	78-0252
		CL120(4)S-1-G3	78-0253
KL	PVDF base, cover, and shell with shell sealed to base	KL30(1)S-1-G3	78-0450 A
		KL60(2)S-1-G3	78-0451 A
		KL90(3)S-1-G3	78-0452 A
		KL120(4)S-1-G3	78-0453 A
PPL	Polypropylene base, cover, and shell with shell sealed to base	PPL30(1)S-1-G3	78-1040 A
		PPL60(2)S-1-G3	78-1041 A
		PPL90(3)S-1-G3	78-1042 A
		PPL120(4)S-1-G3	78-1043 A

OPTIONAL EQUIPMENT

TO ORDER	DESCRIPTION	ADD to MODEL NO.	ADD to PRICE CODE NO.
Viton elastomers	Viton gaskets gauge diaphragm	Change L to V in Model Number.	-V
Mounting bracket	PVC 11" x 8" x 1" (279 x 203 x 25mm)	Use prefix S	88-0556-1
Reinforcing plate	For PL, CL models.	-	88-0597-1
222 "O"-ring cartridge seat	For SOE (single open end flat top) cartridges. (2.7" max dia.) Top seats, springs, cross posts not furnished.	-2	-2
PVDF flange connections for KL models	1" (25mm) (Specify 90° or 180° orientation)	-F	-F

Also available from SERFILCO:



Your one-stop source for pumping, filtration and purification needs!

SERFILCO can help you realize the economic value of clarification and purification of your process solutions and waste streams. Our wide range of pumps, filters, packaged systems, accessories and related control instruments make it possible for you to take advantage of one-stop shopping for all of your liquid handling needs. With modern filtration technology at work in your facility, you can reduce waste, lower your manufacturing costs, and enhance product integrity.

We've been serving industry worldwide for 50 years. We're ready to serve you, too!