



**FOR : WATER TREATMENT / FOOD PROCESSING
CLEANING / PHOTOGRAPHIC
ELECTROPLATING / PHARMACEUTICAL
CHEMICAL / PETROCHEMICAL / BEVERAGE**

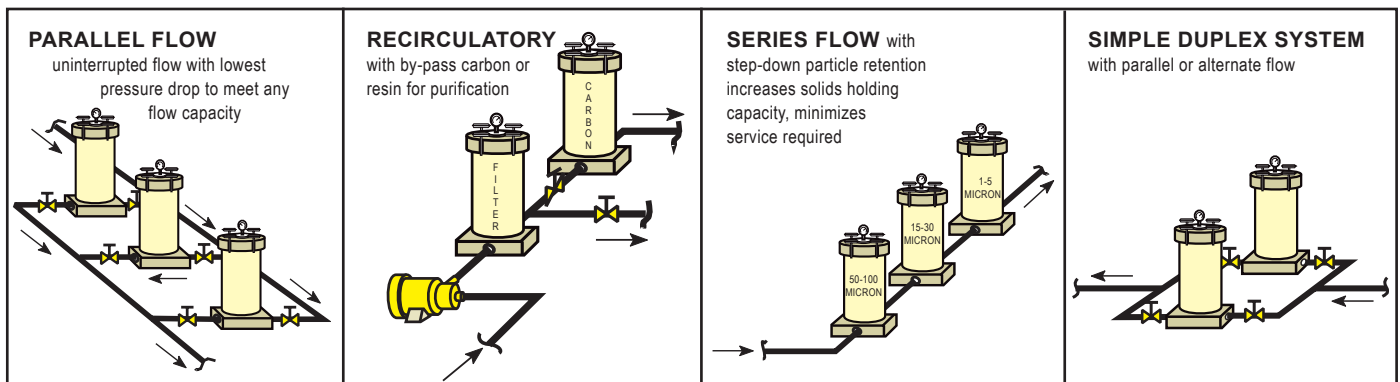
These filter chambers are designed for filtering process solutions where clarification will extend operating life and improve quality.

FEATURES:

- **Non-metallic solution contact**
CPVC, PVC or polypropylene construction
(See a chemical resistance chart)
EPDM elastomers standard, Viton® optional
- **Heavy duty construction**
 - Pressure ratings to 80 PSI (552 KPa)
 - Positive "O"-ring seal at base and cover
 - Cartridge guides with screw-on caps for positive cartridge seal
 - Stainless steel external hardware
 - 0-60 PSI pressure gauge with gauge guard and vent valve
- **Cartridge capacity**
From 12 to 60 - 10" cartridge capacity
(or equivalent 20", 30", or 40" lengths)
- **Easy service**
Swing bolt cover closure with tee handles – no tools required
- **Port size 1½" NPT**
BSP optional

FLOW RATE

Flow rates to 125 GPM depending upon size of chamber, style of filter cartridge, solids content, viscosity, pressure drop and degree of clarity desired. Pressure ratings of filter chambers depend upon the temperature of solutions being filtered. See table.





All chambers have cover swing bolts with tee handles, stainless steel swing bolt and hold down brackets; FRP top and bottom reinforcing plate, cartridge guides with screw-on cap, 0-60 PSI pressure

gauge with gauge guard, EPDM gaskets and drain plugs. All fasteners are stainless steel. For DOE cartridges.

TO ORDER, USE PRICE CODE NUMBER

| DESCRIPTION | | CONNS. | MODEL NUMBER | PRICE CODE NUMBER | NUMBER of 10" CARTS | SOLIDS* | SHIPPING WEIGHT lbs. |
|-------------|--|---------|------------------|-------------------|---------------------|---------|----------------------|
| | | | | | | | |
| PL | CPVC base and cover, PVC shell, CPVC vent valve and internals. | 1½" NPT | PL120SIO 1½-G3A | 78-1901P | 12 | 42 | 82 |
| | | | PL240SIO 1½-G3A | 78-1902P | 24 | 84 | 89 |
| | | | PL360SIO 1½-G3A | 78-1903P | 36 | 126 | 97 |
| | | | PL480SIO 1½-G3A | 78-1904P | 48 | 168 | 104 |
| | | | PL600SIO 1½-G3A | 78-1905P | 60 | 210 | 112 |
| CL | CPVC base, cover, shell, vent valve and internals. | 1½" NPT | CL120SIO 1½-G3A | 78-1901C | 12 | 42 | 82 |
| | | | CL240SIO 1½-G3A | 78-1902C | 24 | 84 | 89 |
| | | | CL360SIO 1½-G3A | 78-1903C | 36 | 126 | 97 |
| | | | CL480SIO 1½-G3A | 78-1904C | 48 | 168 | 104 |
| | | | CL600SIO 1½-G3A | 78-1905C | 60 | 210 | 112 |
| PPL | Polypropylene base, cover and shell, vent valve and internals. | 1½" NPT | PPL120SIO 1½-G3A | 78-1901PP | 12 | 42 | 82 |
| | | | PPL240SIO 1½-G3A | 78-1902PP | 24 | 84 | 89 |
| | | | PPL360SIO 1½-G3A | 78-1903PP | 36 | 126 | 97 |
| | | | PPL480SIO 1½-G3A | 78-1904PP | 48 | 168 | 104 |
| | | | PPL600SIO 1½-G3A | 78-1905PP | 60 | 210 | 112 |

* For each 10" length, the solids holding capacity is 3" sq ft of surface media of the same porosity

For use with a variety of filter media (order separately)

- Depth wound, pleated, carbon or membrane cartridges
- Positive cartridge seal for Double Open End (DOE)
Standard - DOE ... Double Open End
Optional - SOE ... Single Open End for 222 "O"-ring

OPTIONAL

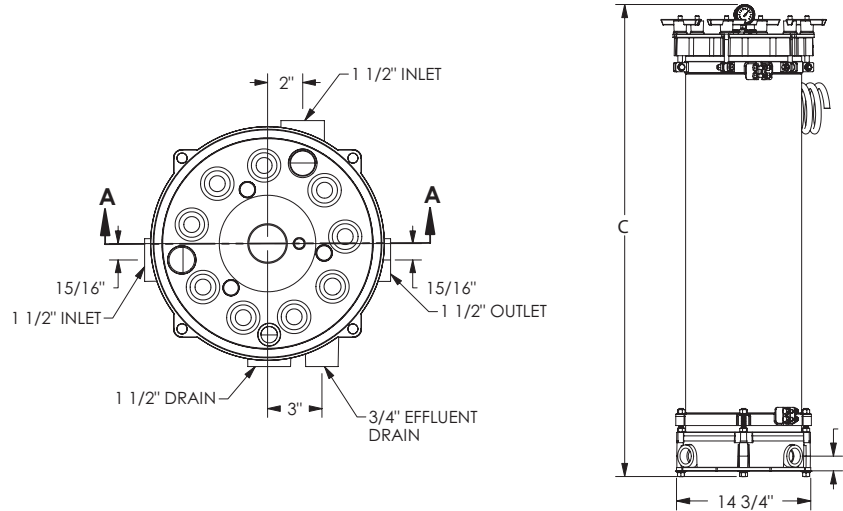
| TO ORDER | ADD TO MODEL NO. | ADD TO PRICE CODE NO. |
|-----------------------|------------------|-----------------------|
| Viton elastomers | change L to V | - V |
| 1½" BSP connections** | - B | - B |

** For flange or socket connection consult factory

| TO ORDER | ADD TO MODEL NO. | ADD TO PRICE CODE NO. |
|---|------------------|-----------------------|
| 222 "O"-ring seat for SOE (Single open end flat top) cartridge. Top seats, springs and cross posts not furnished. | -2 | - 2 |



DIMENSIONS



| CHAMBER MODEL | C HEIGHT in. | CARTRIDGES (Max. dia. 2-5/8") SIZE & NUMBER | | | |
|---------------|--------------|---|---------|---------|-----|
| | | 10" | 20" | 30" | 40" |
| 120S-1½ | 21¼ | 12 | – | – | – |
| 240S-1½ | 31¼ | 24 or 12 | – | – | – |
| 360S-1½ | 41¼ | 36 | – or 12 | – | – |
| 480S-1½ | 51¼ | 48 or 24 | – | – or 12 | – |
| 600S-1½ | 61¼ | 60 or 12 + 12 | – | – | – |

PRESSURE / TEMPERATURE

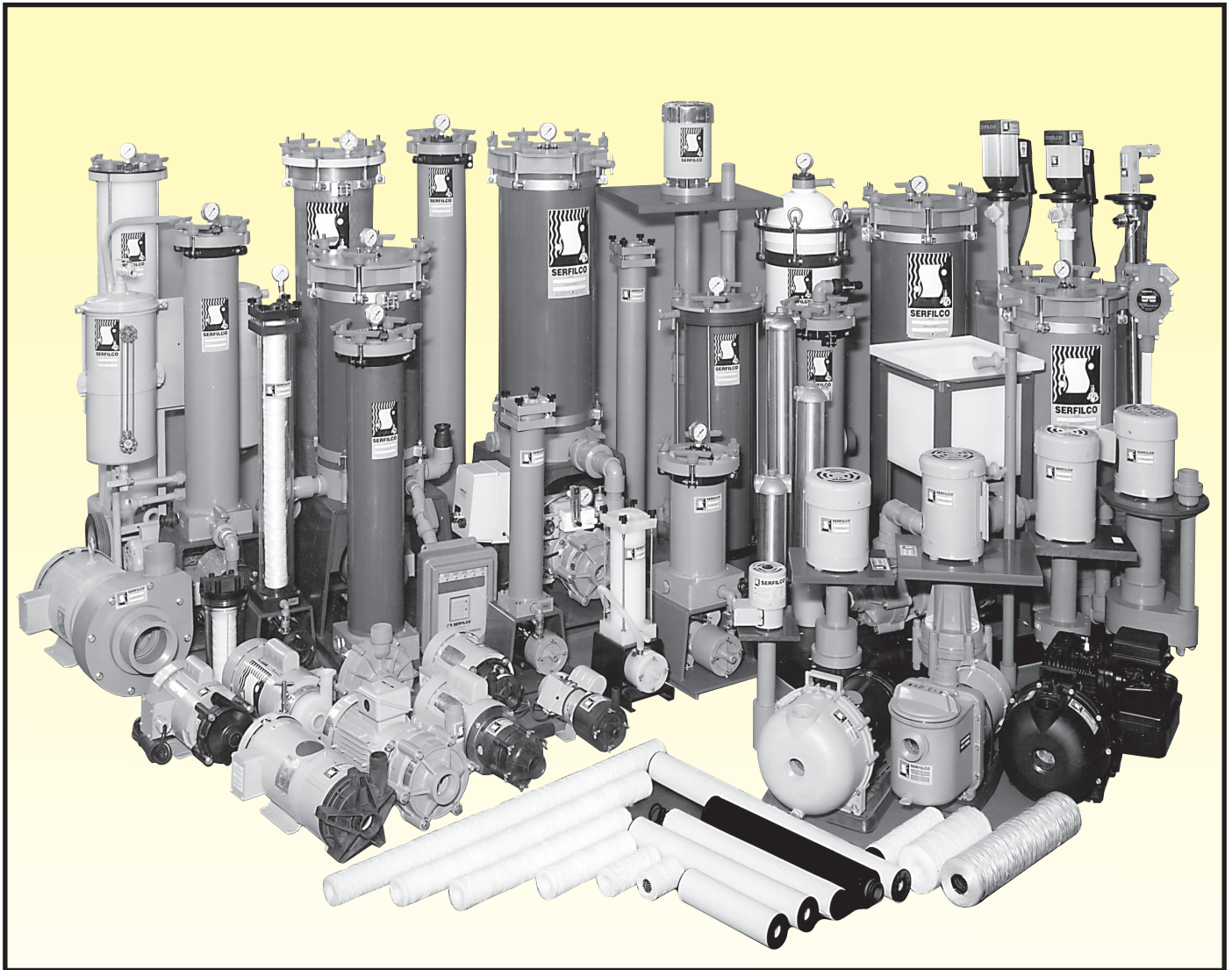
| MAXIMUM PRESSURE AT OPERATING TEMPERATURE WITH TOP & BOTTOM REINFORCING PLATES | | | |
|--|------------------|-----|----|
| TEMPERATURE | PSI ¹ | | |
| | PL | PPL | CL |
| 70°F | 80 | 60 | 80 |
| 100°F | 75 | 60 | 75 |
| 120°F | 40 | 50 | 70 |
| 140°F | 25 | 40 | 55 |
| 170°F | – | 15 | 35 |
| 200°F | – | – | 30 |

| FLOW RATE vs. PRESSURE DIFFERENTIAL ² | | |
|--|-------------------|--------------------|
| MODEL | @ 5 PSI | @ 15 PSI |
| 1½" 'G' | 60 GPM 227 LPM | 110 GPM 416 LPM |

¹ Maximum differential pressure from inlet to outlet (across separator plate) is 40 PSI at 68° F.

² With 15 micron depth wound cartridges.

Also available from SERFILCO:



Your one-stop source for pumping, filtration and purification needs!

SERFILCO can help you realize the economic value of clarification and purification of your process solutions and waste streams. Our wide range of pumps, filters, packaged systems, accessories and related control instruments make it possible for you to take advantage of one-stop shopping for all of your liquid handling needs. With modern filtration technology at work in your facility, you can reduce waste, lower your manufacturing costs, and enhance product integrity.

We've been serving industry worldwide for 50 years. We're ready to serve you, too!